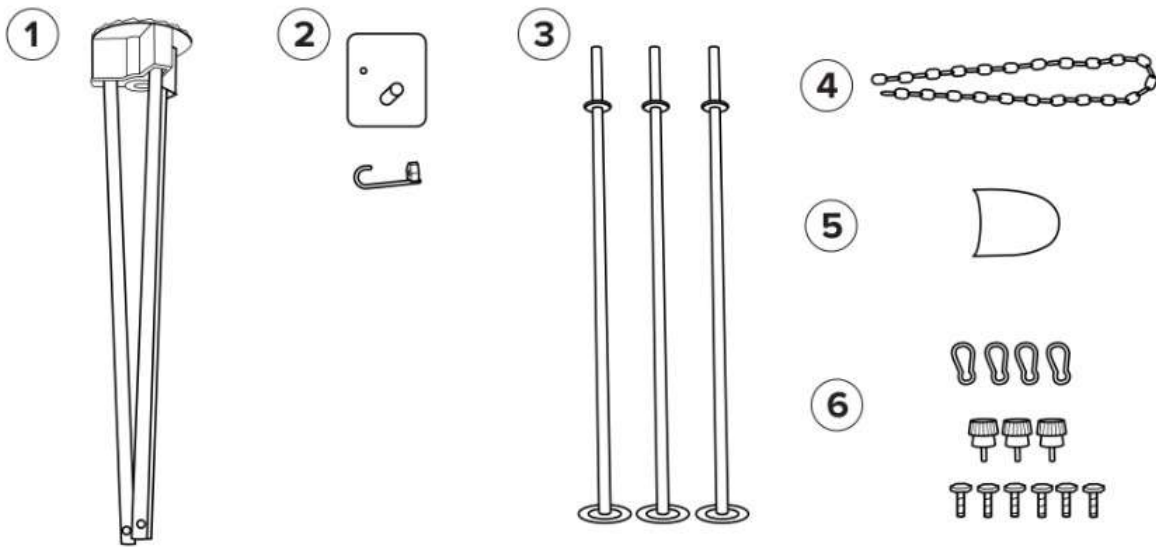




Rotary Tripod Instruction



1. Tripod Main body with outer leg (1 pc)
2. Rotating Base (1 pc)
3. Inner extension leg (3 pcs)
4. Chains (1 pc)
5. Blast deflector (1 pc)
6. Screws (9 pcs)

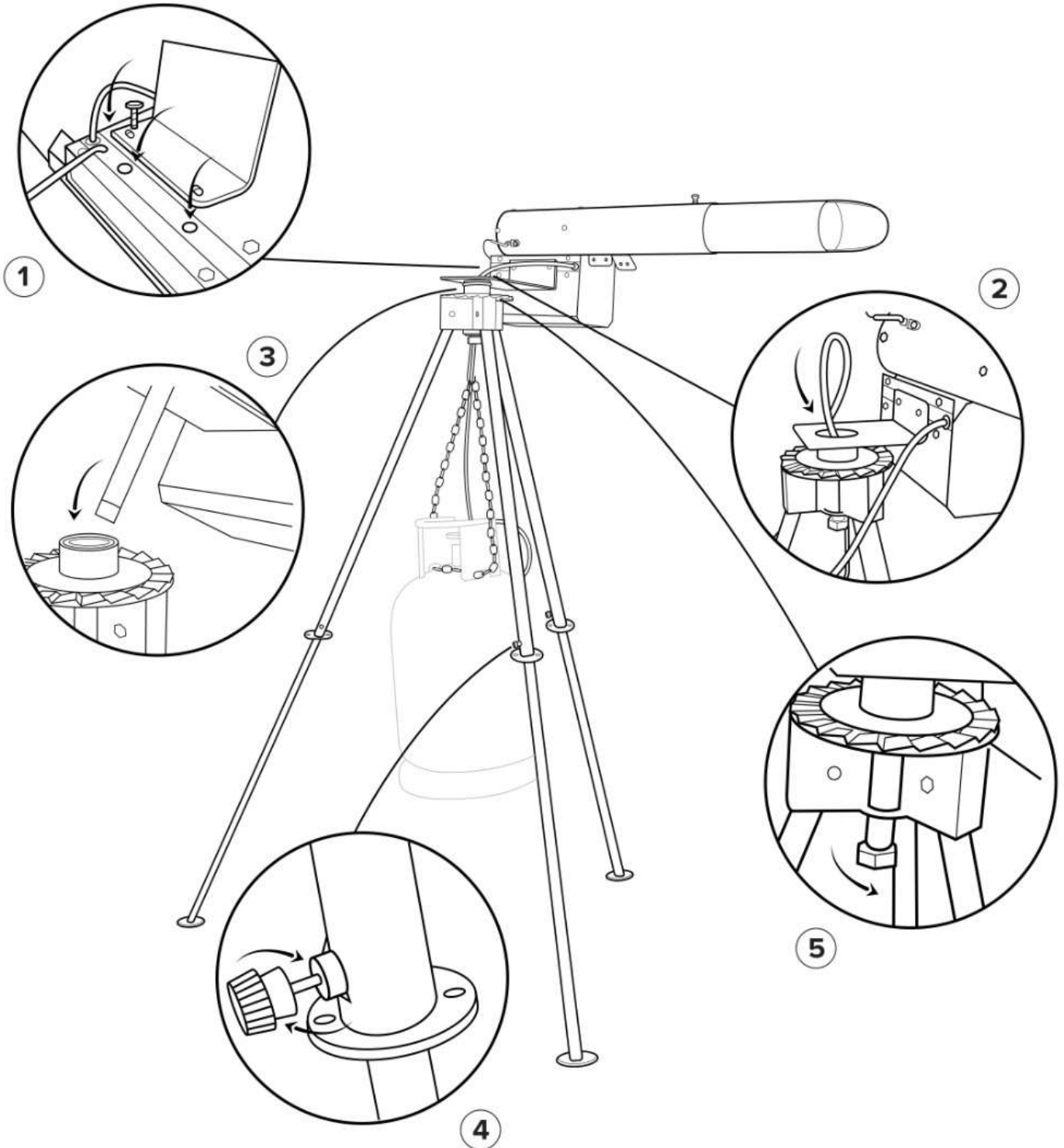
Assamble the Tripod.

1. Unpack the tripod and confirm the contents of the tripod assembly
2. Screw the rotating base to Bird scarecrowe device. Pic 1
3. Slide the inner extension legs into each outer leg.
Use the thumb screws on the outer legs to tighten each leg into place. Pic 2
4. Put the rotating base to tripod main body. Pic 3
5. Tighten the special nut of the rotating base. Pic 4
6. Slide the gas hose through the center of the rotating base. Pic 5
7. Tighten the Blast deflector to Inner megaphone. Pic 6

Attach the Propone Tank

Attach one end of each chain to hook of the rotating base. Loop the other ends through the propane tank lifting holes and back to the hook. This will suspend the tank so that it can rotate with the cannon. Secure the gas hose to the pressure regulator valve and install the pressure regulator onto the propane tank.

Upon detonation the cannon will rotate approximately 10° with each blast.



ALANKO
Wildlife control products Manufacturing
+90 532 494 27 52
+90 332 813 49 49

✉ cenk@alanko.com.tr
🌐 www.alanko.com.tr
📍 Seyran Mah. 33203. Sk. No.65
Akşehir - Konya - Turkey